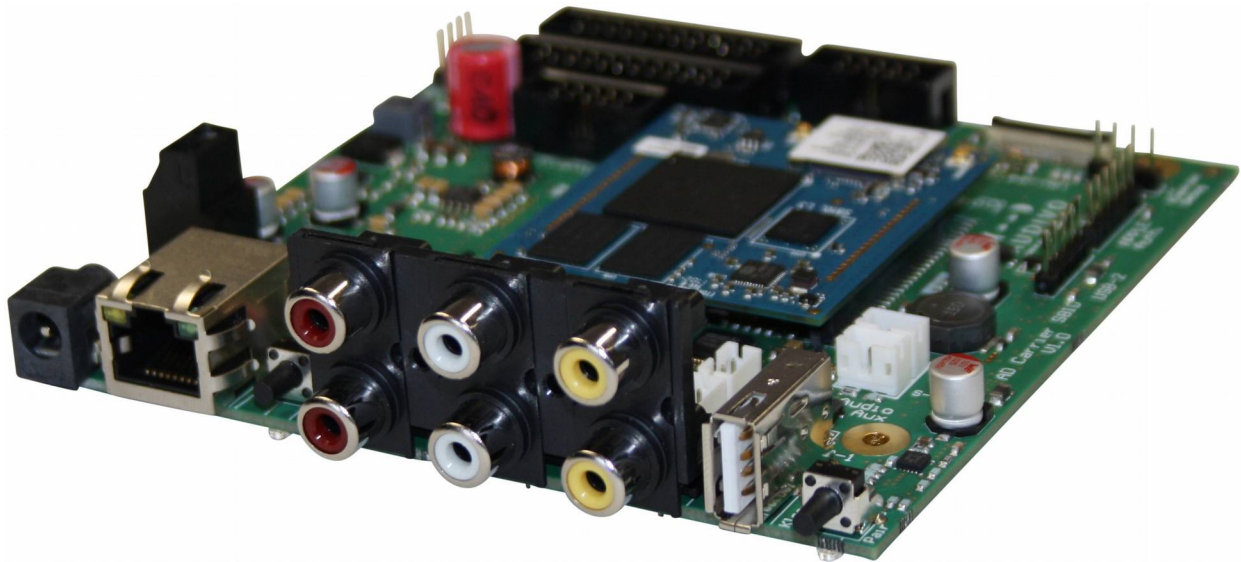


M:streamer 2

Streaming client based on Stream Unlimited S8xx streaming modules



Key Features

The m:streamer 2 is a member of the Audivo Active Speaker Platform (ASP). ASP consists of a line products for active speaker solutions. It is designed to drive StreamVienna multi-room streaming module and supply the required connectors to make use of the capabilities of the streaming module.

An audio switch (PCM 92) together with a high quality DAC PCM 1780 on the m:streamer 2 offers multiple analogue and digital audio inputs and out puts.

Most common interfaces like Analogue In and S/P-Dif In/out are available on RCA connectors additional there are pin headers for multiple extensions.

E.g:

- amplifier boards like the CDA50 or CDA100
- DSP board,
- CD drive,
- DAB radio
- Wireless audio via Kleernet
- and more.

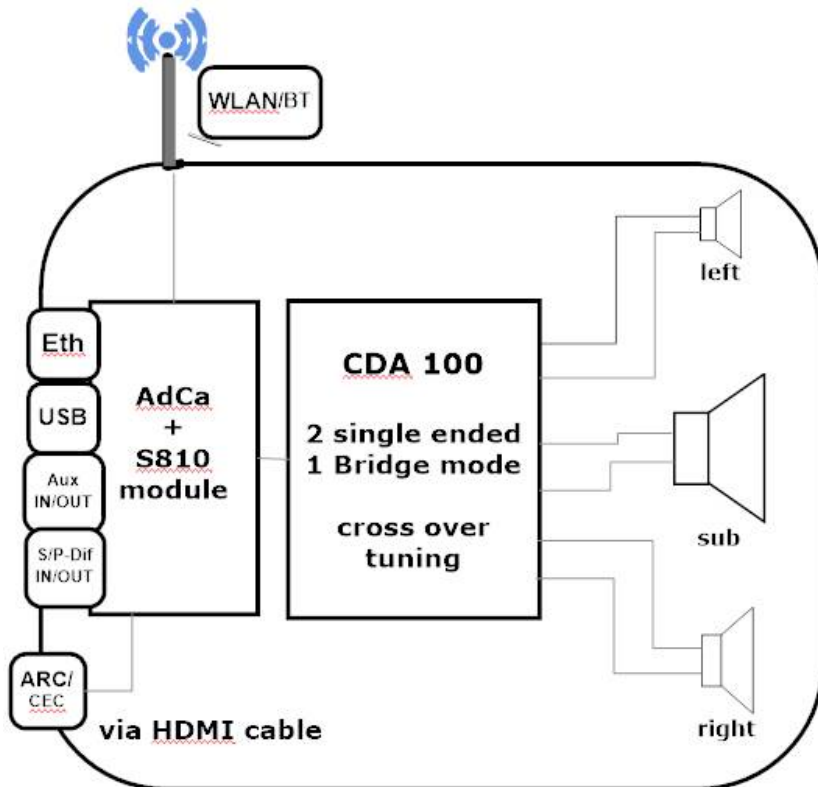
The design is a single board solution including DC/DC power supply and connector for a simple user interface with buttons, switches and LEDs. The complete system is supplied by a 8...15V DC.

- **Communication interfaces:**
 - **Ethernet RJ45** connector on backplane with status LEDs; connected to S810 internal 100MBit/s Phy.
 - Dual band **WLAN** 802.11a/b/g/n/ac (implemented by S810) with dual antenna (2T2R) and antenna sharing with BT (implemented by S810).
 - **BT v4.2** (implemented by S810): BLE support, antenna sharing with WLAN.
 - **1x USB Host** Port to S810; S810 is USB host; USB power switch incl. current monitor on carrier board; max current of 1.0A per port. One type A connector at backplane
- **Control interfaces:**
 - **UART debug output** of S810 on pin header (3V3 level)
 - **Pin header for**
 - **Keys: Standby, Reset, WPS, Play/Pause, Vol-Up, Vol-Down, Reserved** by GPIO
 - **LEDs: 3x LEDs** by GPIO
 - **Aux. Control:** UART, SPI, I2C, GPIO, VCC
 -
- **Audio interfaces:**
 - **1x Analogue Input and 1x Output** with up to 192kHz/24Bit via DAC PCM 1780
 - **2x SPDIF output** (coax and pin header e.g. TOSLink); up to 192kHz/24Bit.
 - **4x SPDIF input** (coax, pin header e.g. TOSLink); up to 192kHz/24Bit.
 - **1x I²S Out** interface:
 - **1x I²S In/Out Aux** interface

Technical overview

Connectors	
StreamVienna S810 (2*62pin,compatible with 2*50pin version)	
Ethernet	
USB	
I/O ports for keys and LEDs	
Analog and Digital audio interface	
Dimensions (l w h)	
Power supply voltage DC	8 – 15
Max Current Draw in on Mode (depending on supply voltage) depending on Input Voltage	tbd.

Sample application:



2.1 streaming soundbar